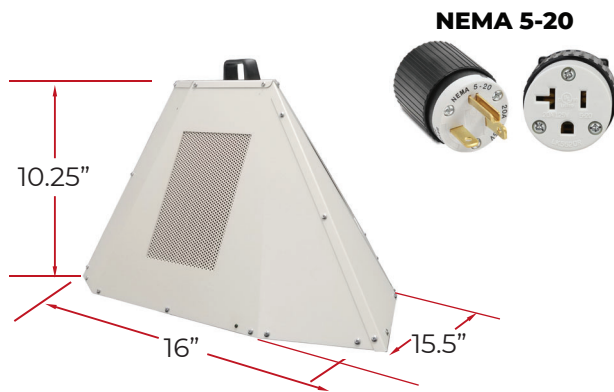


## Eradi-Flo 1800 110V 20-AMP Portable Electric Heater Specification Sheet

Introducing the ER1800, a powerful 1,800-watt portable electric heater suitable for a wide range of applications. It efficiently heats **spaces up to 120 sq. ft. or 960 cu. ft.\***, making it an excellent choice for both commercial and personal use. Operating on one 120V 20-AMP on-site circuit, this electric heater can reach a maximum temperature of 155°F (68.3°C), ensuring effective and reliable heating performance.

### BedBug Electric Heaters Features

- No Chemicals
- No carbon monoxide emissions
- No ventilation required
- Non combustible
- Maintains a low humidity
- On-site electricity
- Durable
- Portable
- Designed for one-person operation
- Sturdy and secure design guarantees no tipping for enhanced safety



Room Size	up to 120 sq. ft. or 960 cu. ft.*
Heat Produced	6,150 BTUs
Heating Elements	(2) 900W elements
Wattage	1,800
Fuel	Electric
Dedicated Breaker	(1) 110V, 20-amp
Plug Type	NEMA 5-20P
Total AMPS	20
Total Air Volume	250 CFM
Internal Fan	1 speed
Temperature	72°F to 155°F (22°C to 68°C)
Dimensions (inches)	15.5 x 16 x 10.25
Dimensions (mm)	394 x 406 x 260
Weight	16 lbs. (7.3 kg.)
Adjustable Thermostat	Yes
Power Cord Length	Attached 7 ft.
Safety	No CO2, No fuel required
Warranty	5-Year Limited
Made In	USA

\*Cu. ft. based on an 8 ft. ceiling height.

### Other Supplemental Heat

BedBug Eradicator | Hospitality | Property Management | Shelters/HUD | Construction sites | Barns | Restoration & Remediation | Garages | Shops | Greenhouses | Out Buildings | Crawl Spaces | Attics | Workout Rooms | Grow Houses | Cruise Ships | Cargo Ships | International

Visit [www.deadbedbugz.com](http://www.deadbedbugz.com) for pricing details. Feel free to reach out to us via phone to discover how we can assist you in effectively managing your bed bug problems while saving money.