

DEAD BEDBUGZ

by COLORADO TRI-FLO SYSTEMS, LLC

DIY 350 220V 30-AMP Portable Electric Heater Package Specifications

Calling all DIY enthusiasts! Take action against bedbugs right away with our comprehensive package, showcasing the powerful Eradi-Flo 5,000-watt heater. Operating seamlessly on on-site electricity, this heater requires just one 220V 30-AMP circuit. Effortlessly eliminate bedbugs in rooms **up to 350 sq. ft. (or 2,800 cu. ft.*)**. Don't delay; secure this package today and put an end to bedbugs once and for all. Plus, enjoy **FREE** shipping within the continental US, and as a special bonus, receive a **FREE** Detailed Field Guide for Bedbug Eradication with your purchase. It's time to take control and eradicate those bedbugs with confidence!



BedBug Electric Heaters Features

- No Chemicals
- No carbon monoxide emissions
- No ventilation required
- Non combustible
- Maintains a low humidity
- On-site electricity
- Durable
- Portable
- Designed for one-person operation
- Sturdy and secure design guarantees no tipping for enhanced safety

*Cu. ft. based on an 8 ft. ceiling height.

Package Includes

- (1) ER5000
- (2) Fans
- (1) Laser Infrared Thermometer
- (1) 25' 220-volt extension cord
- (1) FREE Detailed Field Guide for Bedbug Eradication

This Package Provides

2,800 CU. FT. OF COVERAGE

4,290 TOTAL CFMs

17,100 TOTAL BTUs

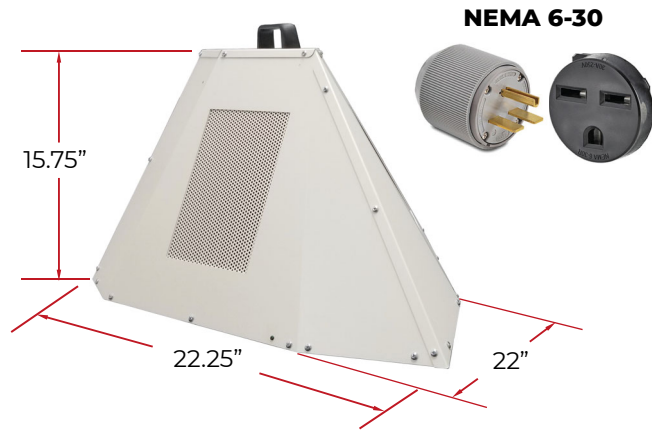
BedBug Fact: They are attracted to body heat and carbon dioxide, which helps them locate their hosts.

www.deadbedbugz.com
Phone: (303) 532-2494



ER5000 Heater

- Heat Produced: 17,100 BTUs
- Heat Elements: 2 elements
- Wattage: 5,000
- Fuel: Electric
- Power Requirements: 220V 30-amp circuit
- Plug: NEMA 6-30P
- Total AMPS: 20.8
- Fan speed: 850 CFM
- Internal Fan: 1 speed
- Temperature: 72°F to 155°F (22°C to 68°C)
- Dimensions (inches): 22 x 22.25 x 15.75
- Dimensions (mm): 559 x 565 x 400
- Weight: 33 lbs. (15 kg.)
- Adjustable Thermostat: Yes
- Power cord Length: Attached 7 ft.
- Safety: No CO2 emissions
- Warranty: 5-Year Limited
- Made: USA



Fan

- Volts/Cycle: 115V / 60 Hz
- Power: 1.6A
- Operating Positions: 360°
- Dimensions (inches): 18.6 x 9.2 x 19.4
- Cord: 20 feet
- Stackable: Yes
- Model and color may vary (see website for return policy)
- Warranty: 1 Year Limited (must go onto Fan website to warrant)
- Motor: 1/4HP
- Rated Airflow: 1,720 CFM
- Speeds: Variable Speed Control
- Weight: 17.6 lbs. (kg.)
- Rack/Stand: Included
- Built-in daisy chair power outlet



Laser Infrared Thermometer

A laser infrared thermometer is a precise and non-contact temperature measuring device that utilizes a laser to target and measure temperatures from a distance. It provides quick and accurate readings, making it suitable for bedbug eradication.



25' 220-Volt Extension Cord

The 25' 220V extension cord is a convenient accessory that offers an extended reach for your electric equipment, ensuring flexibility and convenience in your setup. It allows you to easily connect and power your devices without being restricted by short cord lengths.



FREE Detailed Field Guide for BedBug Eradication

The free detailed field guide for bedbug eradication is an invaluable resource, providing essential information and guidance to effectively eliminate bedbugs. Packed with expert tips and step-by-step instructions, it empowers users with the knowledge needed to tackle bedbug infestations confidently.

For the latest pricing, please visit www.deadbedbugz.com.

Contact us to discover how we can assist in managing your bedbug problems and saving you money.

www.deadbedbugz.com
Phone: (303) 532-2494

